

Installation Instructions
Model: AB50 3262
Single-lever Pull-down Sensor Kitchen Faucet



TABLE OF CONTENTS

Preparation	2
Parts & Tools Needed	2
Installation & Usage	3-7
Care and Cleaning	8
Warranty	8
Return Policy	8
Asking for Assistance	8

Please read all instructions carefully before starting the installation.

PREPARATION

● **Before You Begin**

Before installing any Dawn product in your home, make sure you are in compliance with all local plumbing codes.

● **Check The Accessory Items**

Before installation, please check the condition of the product and, if appropriate, its components. If there is any problem with the product and/or its components, please contact the store you purchased it from for a replacement. As soon as you have inspected your product, please return it to its original packaging until you are ready to install it.

● **Handle With Care**

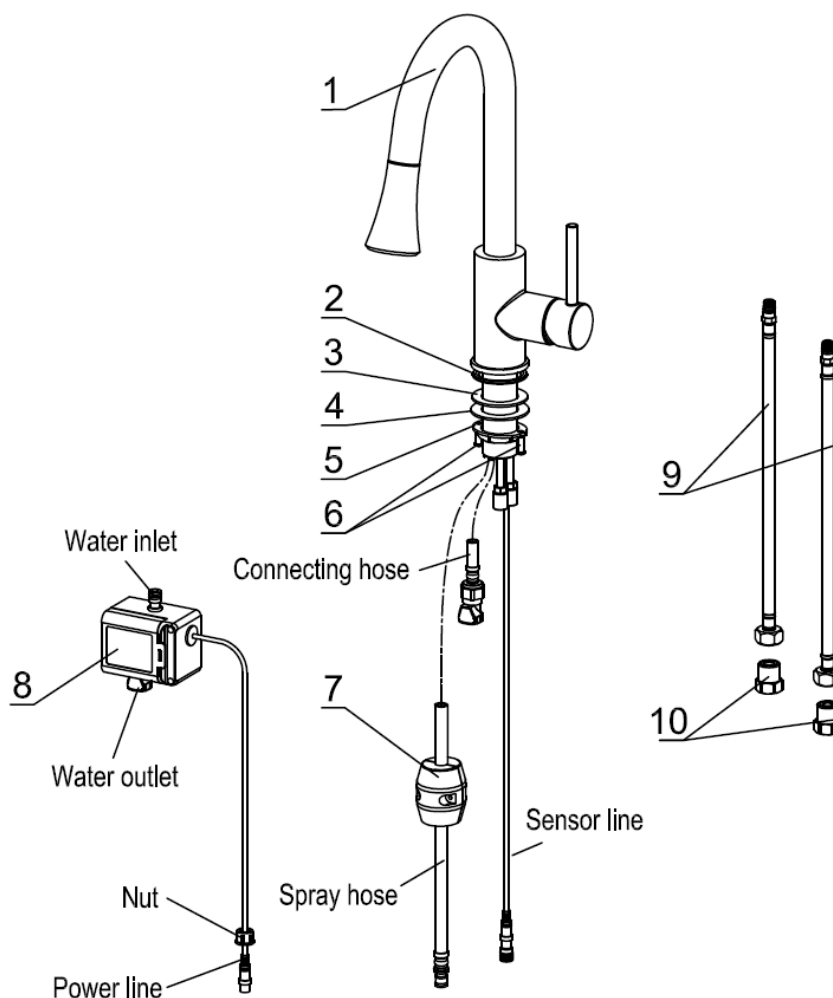
To protect its finish and avoid damage before and after installation, please handle the product with care. For care and cleaning tips after installation, please refer to the *Care and Cleaning Guide* in this instruction guide.

MATERIALS & TOOLS

Assorted Screwdrivers, Adjustable Wrenches, Pencil, Masking Tape, Thread Sealant, other tools as needed

PARTS

Item	Qty.
1 Main Body	1
2 Washer A	1
3 Washer B	1
4 Metal Gasket	1
5 Edged Nut	1
6 Bolt	2
7 Back Weight	1
8 DC Control Box	1
9 Supply Hose	2
10 Connector	2



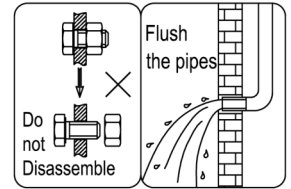
*Drawings are for reference only. Please refer to actual product for exact size, shape and parts.

*Dawn reserves the right to make revisions in the design of faucets without notice for improvement of product performance and quality.

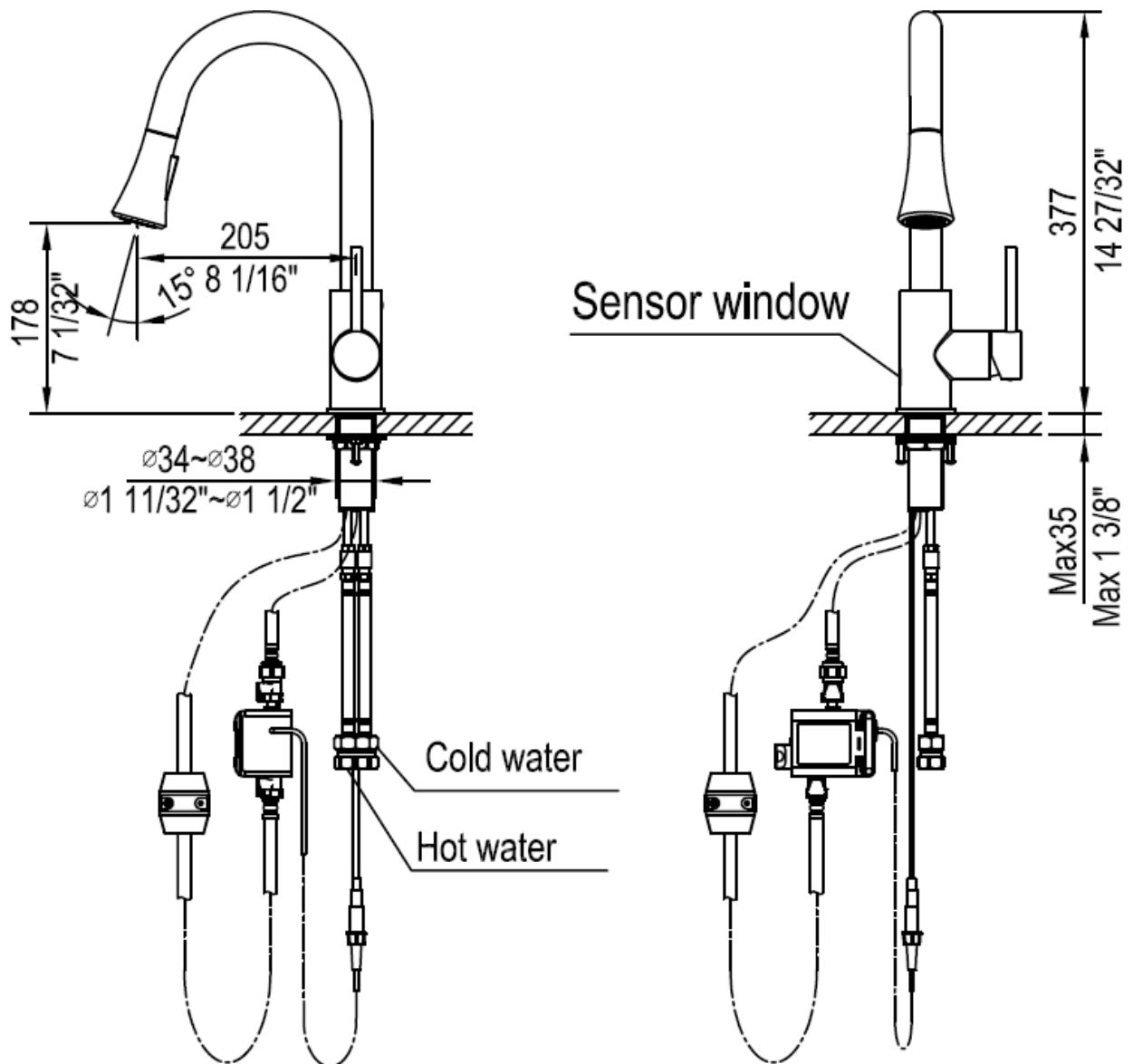
INSTALLATION

IMPORTANT: Recommended for professional installers only. The installer maintains responsibility for installing the product safely.

- The faucet main body is already assembled. Do not disassemble it.
- Thoroughly clean the inside of all pipes with a cloth before installation.
- Check all connections for leaks after installation.
- Water pressure range 0.05 Mpa to 1 Mpa; water temperature range 39°F to 140°F (4°C to 60°C).
- Power Supply: DC 6V(4 Pcs AA 1.5V alkaline batteries)
- Power Consumption: DC: $\leq 0.2\text{mW}$
- Introduction Range: preset (15±1.5)cm
- Water flow time limited: (180±10)S



DIMENSIONS



LEGAL DISCLAIMER:

- This instruction guide is done as a public service to customers of Dawn Kitchen & Bath Products, Inc. ("Dawn"). For special situations or further assistance, please consult professionals.
- All products should be inspected by customers upon receipt and before any installation. Any defective product should be reported immediately and should NOT be installed.
- Requirements may vary for installation in a granite, marble, stone, or butcher block countertop.
- Installation by professional installers is highly recommended. Dawn assumes no liability for any damages incurred through the use of information provided in this guide.

INSTALLATION

IMPORTANT: Recommended for professional installers only. The installer maintains responsibility for installing the product safely.

<p>1.</p>	<p>2.</p>
<p>Make a faucet hole. Remove off the bolts(6), edged nut(5), metal gasket(4) and washer B(3) from the main body(1).</p>	<p>After connecting the supply hose(9) to the main body(1), put the main body into the hole with washer A(2), then refix the washer B(3), metal gasket(4), edged nut(5) and bolts(6) from the bottom.</p>

<p>3.</p>	<p>4.</p>
<p>After adjusting the direction of the main body, tighten the edged nut(5) with hands and tighten the bolts(6) with a Philips screwdriver.</p>	<p>As above picture, connect the connecting hose and water inlet of the DC control box, the spray hose and water outlet of the DC control box, and fix the back weight(7) on a suitable location of the spray hose as requirement.</p>

INSTALLATION

IMPORTANT: Recommended for professional installers only. The installer maintains responsibility for installing the product safely.

<p>5.</p> <p>Nut Power line Sensor line</p>	<p>6.</p>
<p>As above picture, connect the power line of DC control box and sensor line of the main body, and tighten the nut with hands.</p>	<p>Connect the connectors(10) to the angle valves, and connect the 2 pcs supply hoses to the connectors. Finally, turn on the faucet to test the tightness of all joints to finish the installation.</p>

REPLACEMENT OF BATTERIES

1. 4 Pcs AA 1.5V alkaline batteries.
2. Remove the battery box from DC control box.
3. Put in the batteries properly.
4. Put the battery box back to DC control box.

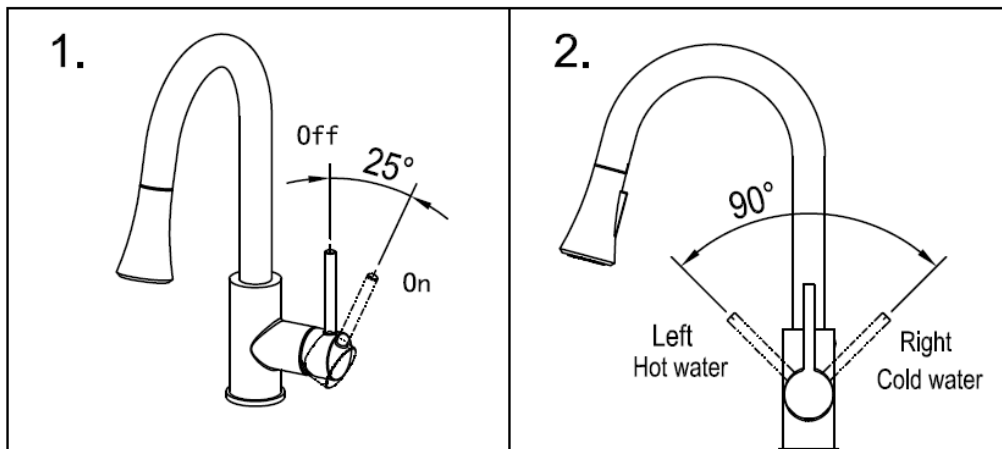
<p>DC control box Battery box</p>	<p>Batteries</p>	
--	------------------	--

USAGE

IMPORTANT: Recommended for professional installers only. The installer maintains responsibility for installing the product safely.

Handle Usage

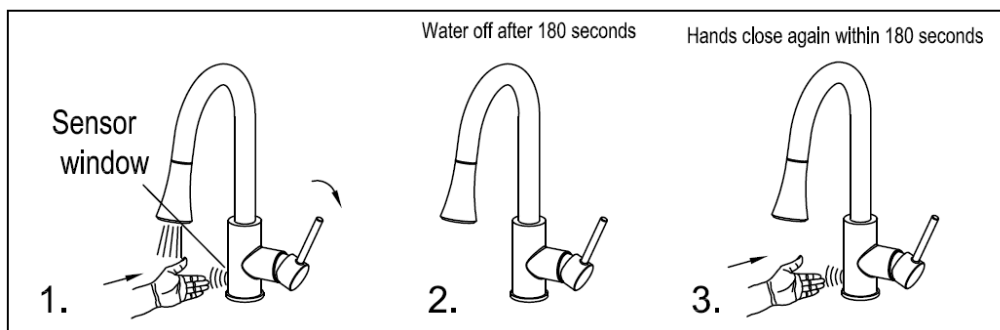
- 1) Pull the handle away from the faucet to turn on; operate reversely to turn off.
- 2) Push backward for cold water, pull forward for hot water.



Usage of sensor window

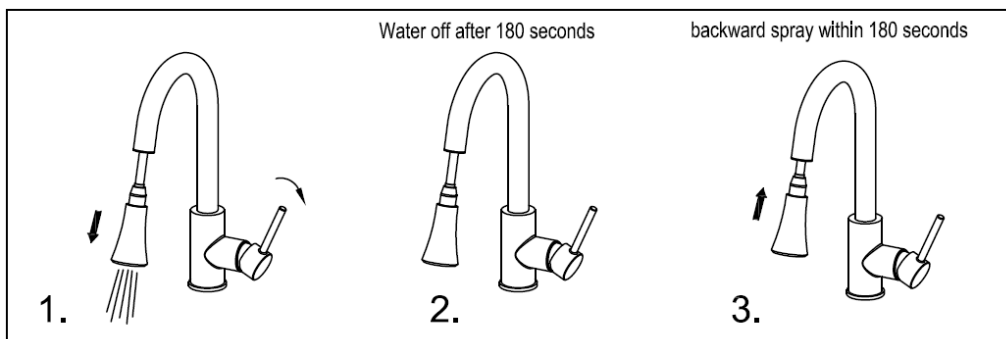
Pull open the handle from faucet to turn on

- 1) Hands before sensor window, water flows automatically.
- 2) Water off after 180 seconds automatically.
- 3) Or hands before sensor window again within 180 seconds to turn off water.



Turn on and off water by pull down and return spray.

- 1) Pull down spray, water flows automatically.
- 2) Water off after 180 second automatically.
- 3) Or backward spray within 180 seconds, to turn off water.

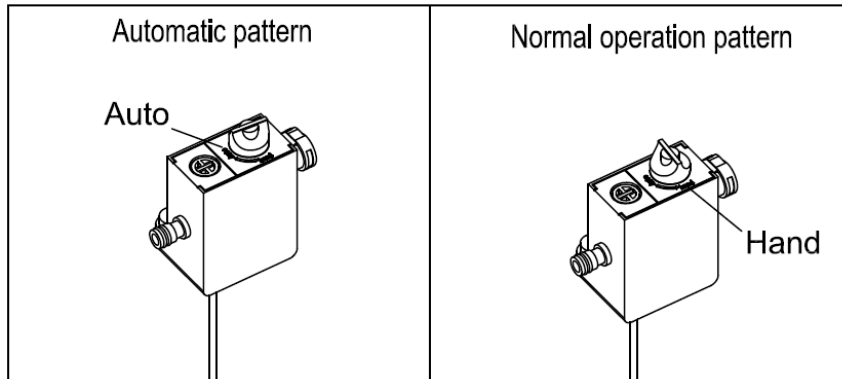


Usage

IMPORTANT: Recommended for professional installers only. The installer maintains responsibility for installing the product safely.

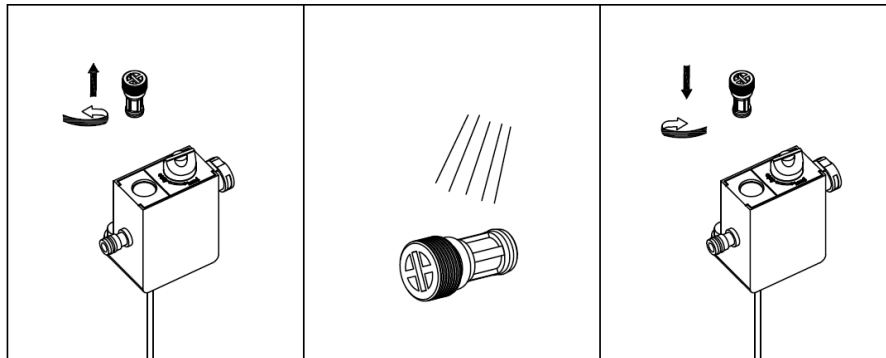
Transformation between sensor (automatic) and normal operation patterns

- 1) Factory default setting is sensor pattern. You can find the switch on Auto.
- 2) Please switch to Hand to open normal operation pattern when batteries power off or malfunction but user can't replace batteries in time or repair faucet immediately.



Cleaning of filter in DC control box

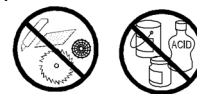
- 1) Please clean filter when water flows decrease. Normally, suggestion of cleaning requires half a year regularly.



CARE AND CLEANING

To maintain the product and to avoid possible damage:

1. Clean as and when required. Regular cleaning prevents scale buildup and water spotting.
2. To clean, flush with clean water and dry with a soft cloth.
3. To remove scale or water spots, only use cleaners made specifically for that purpose. Apply cleaners to cleaning cloths, pads, or sponges first; do not apply directly onto the product.
4. Do not allow any cleaning product to remain on your faucet for longer than necessary.
5. Do not use any abrasive cleaning products, such as scrubbing detergent, polisher, sand-cloth, paper tissue, or scrapper.
6. Do not use detergents or soaps that contain acid or that are undissolvable.
7. Take the aerator off and clean it when necessary.
8. After cleaning, rinse thoroughly with clean water to remove any cleaner residue.



WARRANTY

Limited Lifetime Warranty

Dawn® warranties all of its products to be free from manufacturing defects in material and workmanship during normal residential use for as long as the original purchaser owns his or her home. This warranty only extends to the original consumer and this warranty is non-transferable. If any defect is found in normal residential use, Dawn® will, at its own election, repair, provide a replacement part of product, or make appropriate adjustment at no charge (excluding labor charges and other incidental or consequential costs). Damage to a product caused by accident, misuse, or abuse is NOT covered by this warranty. Improper care and cleaning will void the warranty. If Dawn® is unable to provide a replacement and repair cannot be made, Dawn® may elect to refund the purchase price to the original consumer purchaser in exchange for the return of the product. (IMPORTANT: The original consumer/purchaser should be responsible for inspecting products upon receipt. Any defective product should be reported immediately and should NOT be installed.)

DAWN® WARRANTIES DO NOT COVER, AND DAWN® DISCLAIMS ANY LIABILITY FOR:

1. Conditions or damage NOT resulting from defects in material or workmanship.
2. Conditions or damage resulting from:
 - Normal wear and tear, improper installation or maintenance, misuse, abuse, negligence, accident, moving (tipping) or alteration, scratches or handling damages.
 - Use of abrasive cleaning products or the use of the product in any manner contrary to the product instructions.
 - Conditions in the home such as excessive water pressure, water quality or corrosion.
3. Labor, shipping or other costs for removal, installation, replacement or return of product for warranty service.
4. Parts, accessories, connected materials or related products that are not manufactured by Dawn®.
5. Imperfections such as checks (small surface splits), pitch pockets (small dark holes), grain or darker mineral streaks are natural and are not considered defects.
6. An invoice number will be required for proof of purchase

Dawn® reserves the right to inspect any Dawn® product reported to be defective prior to any repair or replacement. Repair and replacement costs EXCLUDE shipping, labor, and consequential expenses.

To obtain warranty service, contact Dawn® either through your Dealer, Plumbing Contractor, Home Center or E-retailer, or by contacting Dawn® at the contact information listed below. Proof of purchase (original sales receipt) and description of problem must be provided with all warranty claims.

RETURN POLICY

You may only return new, uninstalled, or unused items sold and fulfilled by Dawn Kitchen & Bath Products, Inc. for a full refund within 30 days of delivery. Items must be returned in its original package. Returns of used items or returns after 30 days of delivery may be accepted with a 15% restocking fee. Dawn will pay for return shipping costs only if the return is a result of our fault. If you receive a faulty product and need to exchange it for the same product, please contact our customer service via phone, fax, or e-mail to request a replacement. If you would like to exchange a product for a different one, please first return the original product to our location at [27688 Industrial Blvd., Hayward, CA 94545](https://www.dawnusa.net) and then place a new order.

PARTIAL REFUNDS MAY BE GIVEN TO:

- Most of the items that are returned after 30 days of delivery
- Any item not returned in the condition it was delivered
- Any item that has obvious signs of use
- A 15% restocking fee will apply to all used items or items returned after 30 days of delivery.

ASKING FOR ASSISTANCE

Dawn Customer Service Department
27688 Industrial Blvd., Hayward, CA 94545
Toll-Free: 877-DAWN-USA (877-329-6872)
E-mail: dp@dawnusa.net Technical: tech@dawnusa.net Web: www.dawnusa.net